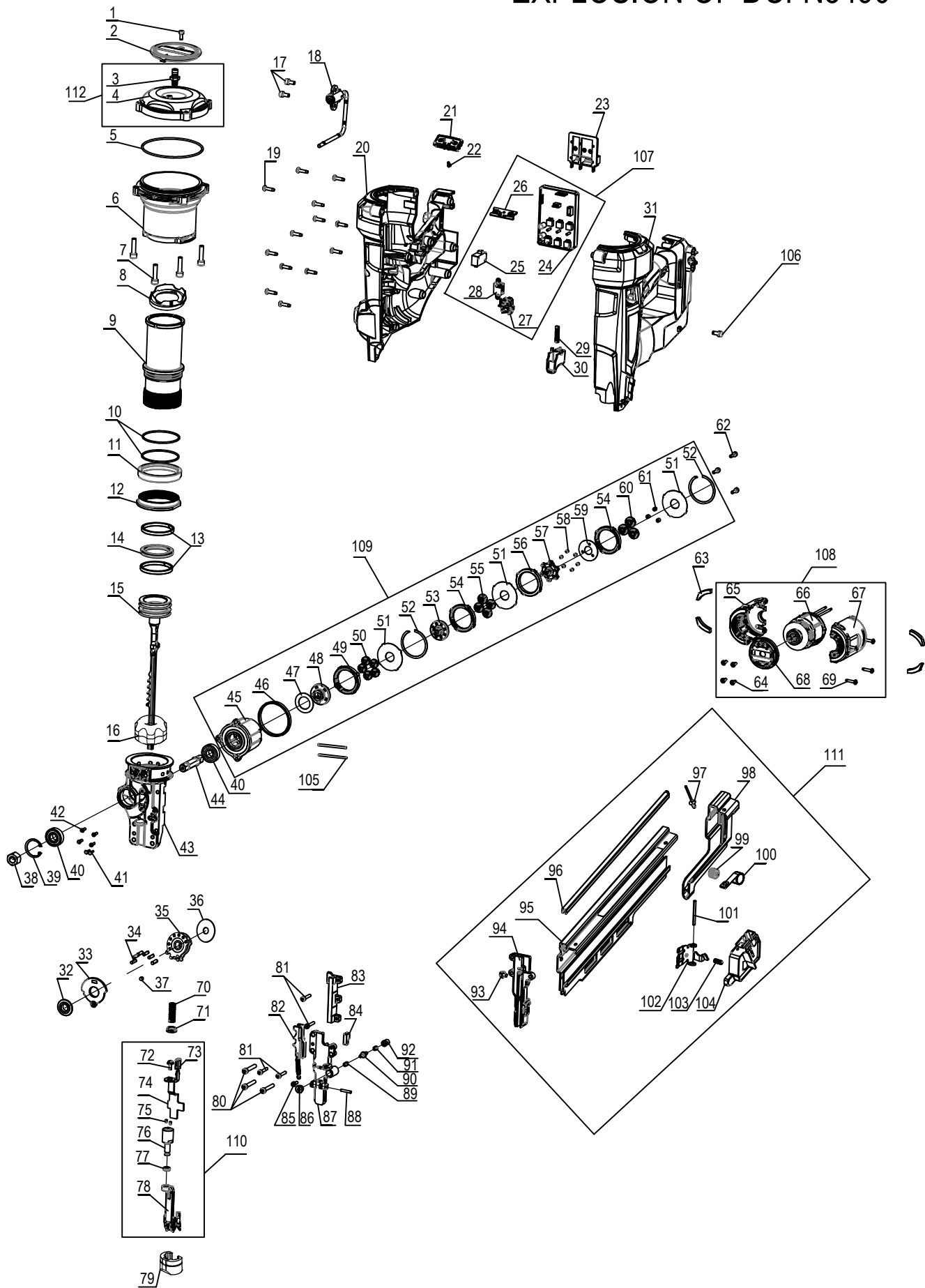


EXPLOSION OF DCFN3490



Part list

No.	Part Name	Qty	No.	Part Name	Qty	No.	Part Name	Qty
1	Screw M4x10	1	45	Bumper(C)	2	89	Spring(C)	1
2	Housing Cover	1	46	Gear Box	1	90	Rod	1
3	Valve	1				91	Spring(D)	1
4	Chamber Cover	1	48	Carrier(A)	1	92	Sleeve	1
5	O-ring Ø92x2.5	1	49	Inner Ring Gear(A)	1	93	Flange Screw M5x6	1
6	Chamber	1	50	Planet Gear(A)	5	94	Lower Plate	1
7	Screw M6x25	4	51	Washer(C)	3	95	Magazine	1
8	Cylinder Cover	1	52	Retaining Ring	2	96	Nail Rail	1
9	Cylinder	1	53	Carrier(B)	1	97	Rivet 5x8	1
10	O-ring Ø55x1.8	2	54	Inner Ring Gear(B)	2	98	Magazine Support	1
11	Bumper(A)	1	55	Planet Gear(B)	4	99	Roller	1
12	Anti-loosn member	1	56	Lock Ring	1	100	Coil Spring	1
13	Guide Ring	2	57	Carrier(C)	1	101	Spring Pin Ø3x50	1
14	X-Ring Ø40.64x5.33	1	58	Pin Ø4x4.5	6	102	Pusher	1
15	Piston Assy	1	59	Washer(D)	1	103	Spring(D)	1
16	Bumper(B)	1	60	Planet Gear(C)	3	104	Pusher Support	1
17	Screw M5x15	2	61	Needle Bearing	3	105	Pin Ø3x50	2
18	Rafter Hook Assy	1	62	Screw M4x14	3	106	Screw M5X10	1
19	Screw ST4.2x16	13	63	Bumper (D)	4	107	Controller	1
20	Right Housing	1	64	Screw ST3.5x9.5-F	4	108	DC Motor Assy	1
21	Operator Panel	1	65	Right Motor Housing	1	109	Gear Box Assy	1
22	Screw ST2.9x6.5	1	66	DC Motor	1	110	Depth Adjust Assy	1
23	Battery Connector	1	67	Left Motor Housing	1	111	Magazine Assy	1
24	PCB Support	1	68	Motor Cover	1	112	Chamber Cover Assy	1
25	Trigger Switch	1	69	Screw ST3.5x16-F	4			
26	PCB Assy	1	70	Spring(B)	1			
27	Micro Switch Support	1	71	Spring Base	1			
28	Lifter Sensor Support	1	72	Flange Screw M4x10	1			
29	Spring(A)	1	73	Bumper(E)	1			
30	Trigger	1	74	Pushing Lever(A)	1			
31	Left Housing	1	75	Plunger	2			
32	Plate(A)	1	76	Thumb Wheel	1			
33	Plate(B)	1	77	Retainer	1			
34	Pin Ø5x14	6	78	Pushing Lever(B)	1			
35	Lifter	1	79	Sheath Assy	1			
36	Washer(A)	1	80	Screw M5x30	3			
37	Magnet Ø5x4	1	81	Screw M4x22	4			
38	Nut M12x1.25	1	82	Slider Assy	1			
39	Retaining Ring Ø28	1	83	Slider Rail	1			
40	Bearing 12x28x8	2	84	Bumper(F)	1			
41	Screw ST2.0x10	2	85	Screw M4x12	1			
42	Screw M3x8	4	86	Flange Cover	1			
43	Frame	1	87	Upper Plate	1			
44	Shaft	1	88	Spring Pin Ø3x18	1			